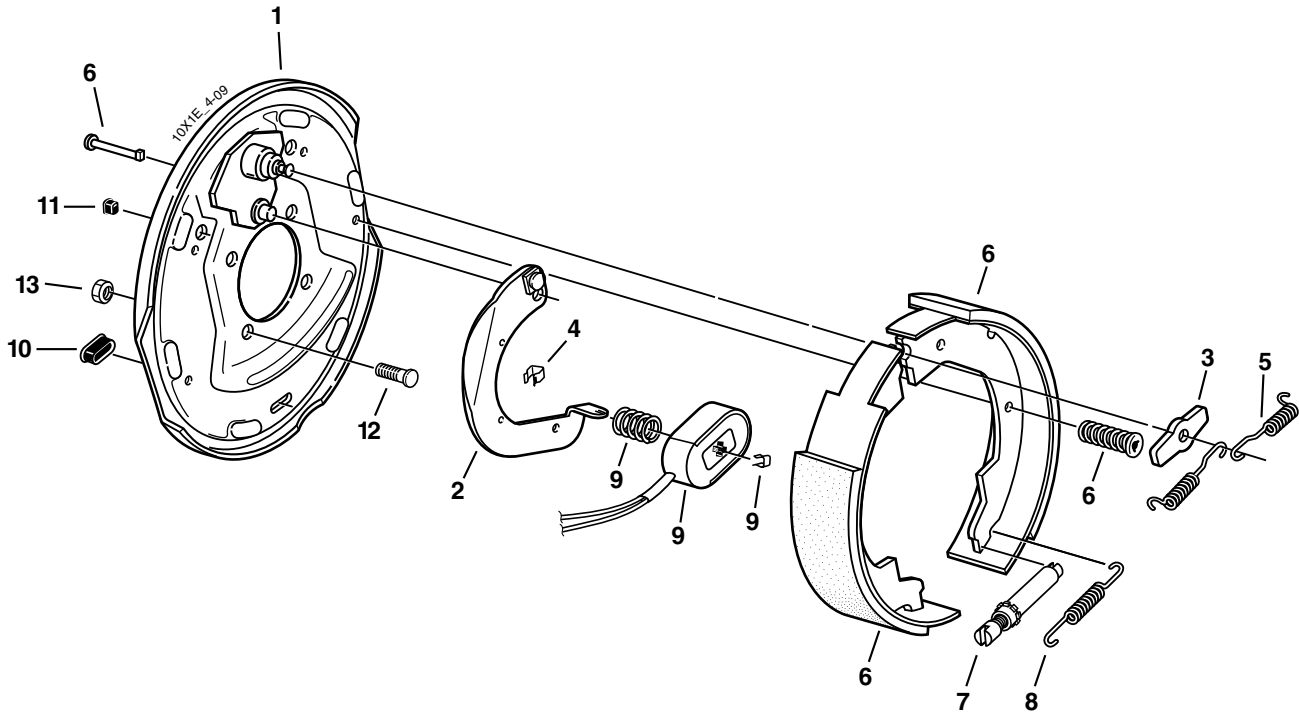


10" x 1½" Electric Brake



CSA approved at 3000#/12.6 SLR

2300 - 3500 LBS. CAPACITY



Electric Brake

Item	Part No.	Qty/Brk	Description
0	K23-472-00	1	LH Complete Brake Assembly (shown)
0	K23-473-00	1	RH Complete Brake Assembly
1	036-134-03	1	Backing Plate Assembly
2	047-019-05	1	LH Actuating Lever Arm
2	047-020-05	1	RH Actuating Lever Arm
3	005-067-00	1	Washer
4	027-005-00	2	Wire Clip
5	046-009-00	2	Retractor Spring
6	K71-046-00	1	Shoe & Lining Kit Contains: 2 #035-001-00 Shoe Hold Down Cup 1 #040-129-00 Primary Shoe & Lining 1 #040-130-00 Secondary Shoe & Lining 2 #046-006-00 Shoe Hold Down Spring 2 #049-009-00 Shoe Hold Down Pin "T"
7	043-004-00	1	Adjuster Assembly
8	046-018-00	1	Adjusting Screw Spring
9	K71-104-00	1	Magnet Kit Contains: 1 #042-140-00 Magnet (green wire) 1 #027-009-00 Magnet Clip 1 #046-080-00 Magnet Spring
10	046-007-00	2	Adjuster Slot Plug
11	046-016-00	1	Wire Grommet
12	007-041-00	4	Brake Mounting Bolt - Press-in
*13	006-017-00	4	Brake Mounting Nut

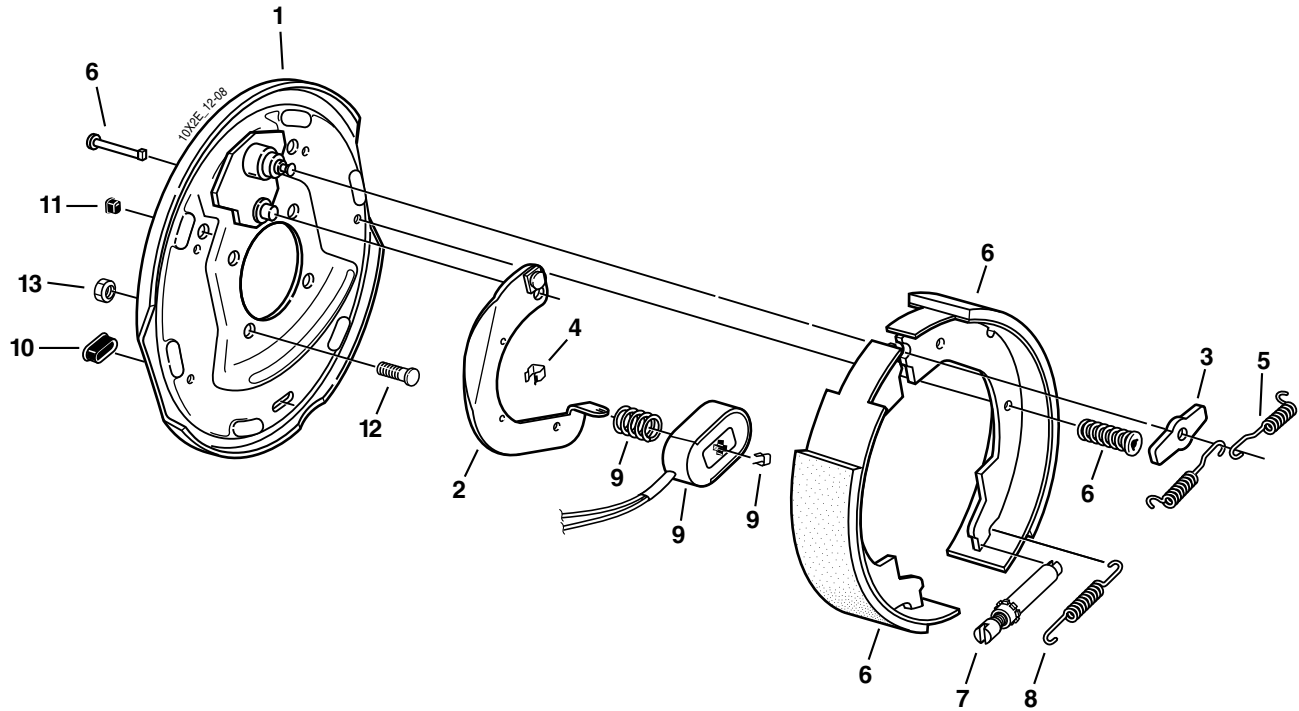
* Not included with complete brake assembly. Item sold separately.

10" x 2¼" Electric Brake



CSA approved at 3500#/13.3 SLR

2300 - 3500 LBS. CAPACITY



Electric Brake

Item	Part No.	Qty/Brk	Description
0	K23-026-00	1	LH Complete Brake Assembly (shown)
0	K23-027-00	1	RH Complete Brake Assembly
1	036-019-10	1	Backing Plate Assembly
2	047-019-05	1	LH Actuating Lever Arm
2	047-020-05	1	RH Actuating Lever Arm
3	005-067-00	1	Washer
4	027-005-00	2	Wire Clip
5	046-009-00	2	Retractor Spring
6	K71-047-00	1	Shoe & Lining Kit Contains: 1 #040-017-00 Primary Shoe & Lining 1 #040-021-00 Secondary Shoe & Lining 2 #049-002-00 Shoe Hold Down Pin #8 2 #046-077-00 Shoe Hold Down Spring & Cup
7	043-004-00	1	Adjuster Assembly
8	046-018-00	1	Adjusting Screw Spring
9	K71-104-00	1	Magnet Kit Contains: 1 #042-140-00 Magnet (green wire) 1 #027-009-00 Magnet Clip 1 #046-080-00 Magnet Spring
10	046-007-00	2	Adjuster Slot Plug
11	046-016-00	1	Wire Grommet
12	007-041-00	4	Brake Mounting Bolt - Press-in
*13	006-017-00	4	Brake Mounting Nut

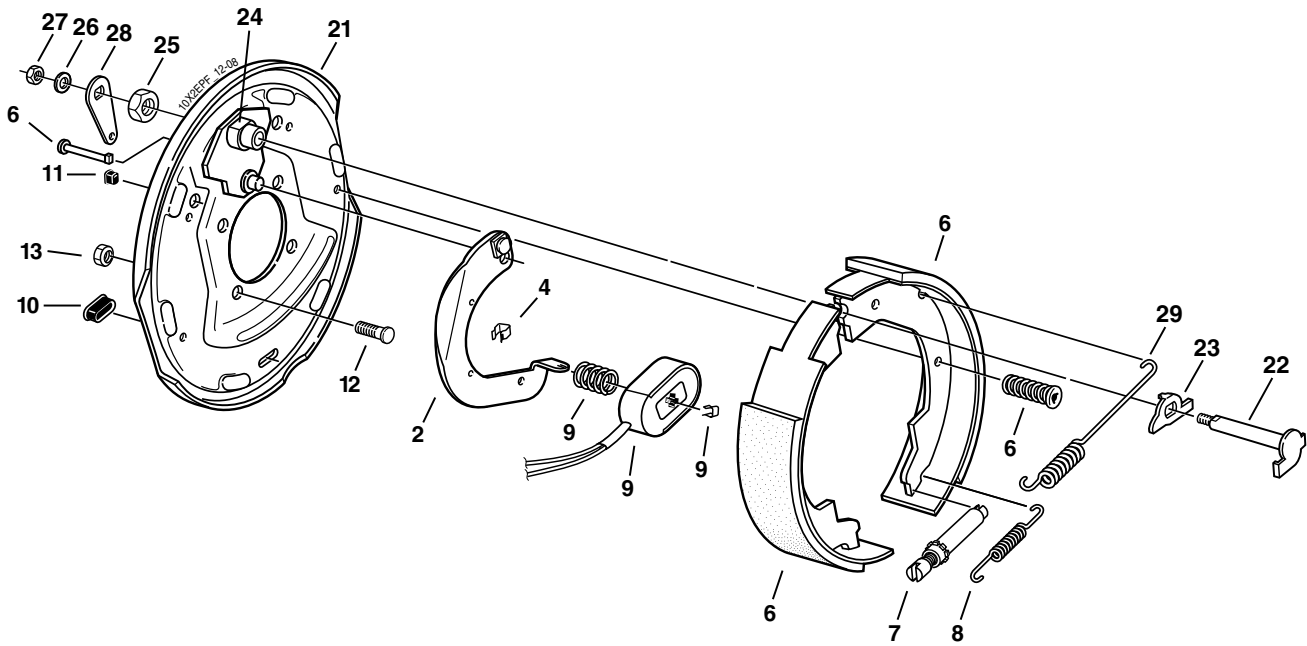
* Not included with complete brake assembly. Item sold separately.

10" x 2¼" Electric Brake With Parking Feature



CSA approved at 3500#/13.3 SLR

2300 - 3500 LBS. CAPACITY



Electric Parking Brake

Item	Part No.	Qty/Brk	Description
0	K23-086-00	1	LH Complete Brake Assembly (shown)
0	K23-087-00	1	RH Complete Brake Assembly
2	047-019-05	1	LH Actuating Lever Arm
2	047-020-05	1	RH Actuating Lever Arm
4	027-005-00	3	Wire Clip
6	K71-047-00	1	Shoe & Lining Kit Contains: 1 #040-017-00 Primary Shoe & Lining 1 #040-021-00 Secondary Shoe & Lining 2 #049-002-00 Shoe Hold Down Pin #8 2 #046-077-00 Shoe Hold Down Spring & Cup
7	043-004-00	1	Adjuster Assembly
8	046-018-00	1	Adjusting Screw Spring
9	K71-104-00	1	Magnet Kit Contains: 1 #042-140-00 Magnet (green wire) 1 #027-009-00 Magnet Clip 1 #046-080-00 Magnet Spring
10	046-007-00	2	Adjuster Slot Plug
11	046-016-00	1	Wire Grommet
12	007-041-00	4	Brake Mounting Bolt - Press-in
*13	006-017-00	4	Brake Mounting Nut
21	036-019-07	1	LH Backing Plate Assembly (includes items #12, 22-28)
21	036-019-08	1	RH Backing Plate Assembly (includes items #12, 22-28)
22	039-025-00	1	LH Pivot Pin & Cam Sub-Assembly
22	039-026-00	1	LH Pivot Pin & Cam Sub-Assembly
23	039-048-00	1	LH Actuating Cam
23	039-049-00	1	RH Actuating Cam
24	038-047-00	1	Anchor Post & Bushing Assembly
25	006-047-00	1	Anchor Post Locknut
26	005-041-00	1	Washer
27	006-011-00	1	Pivot Pin Locknut
28	047-070-00	1	Actuating Lever
29	046-056-00	1	Retractor Spring

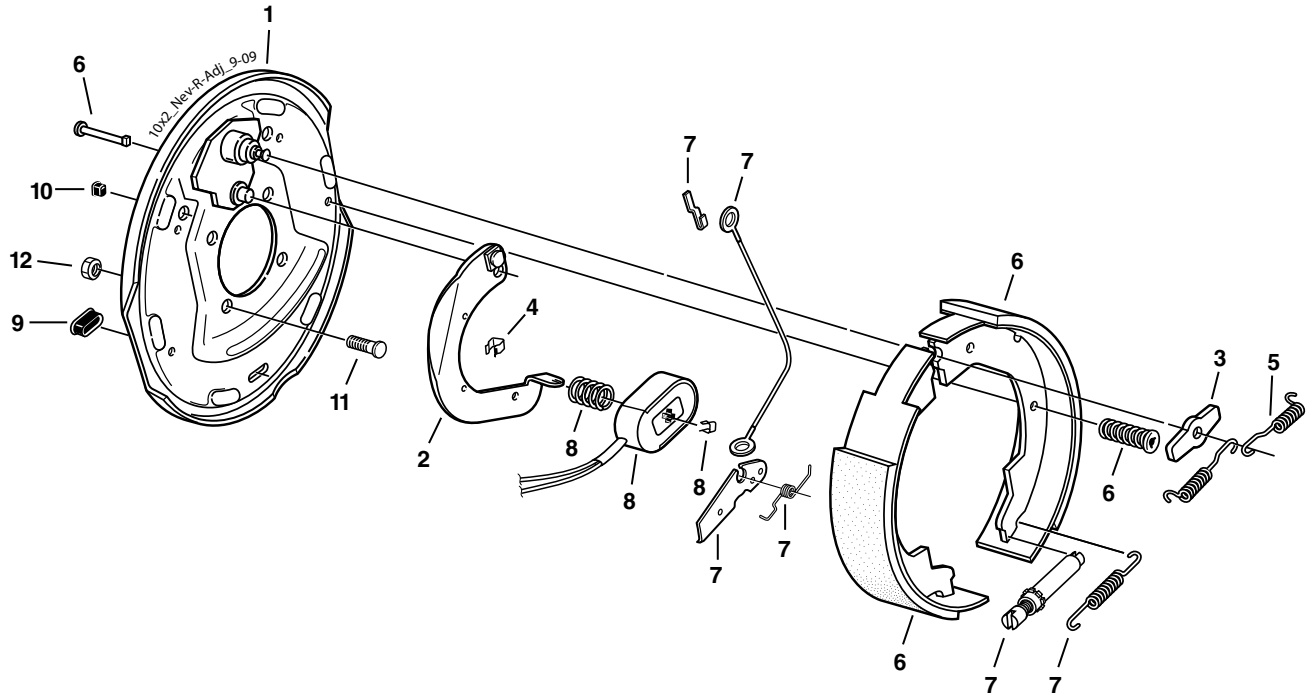
* Not included with complete brake assembly. Item sold separately.

10" x 2¼" Nev-R-Adjust® Electric Brake



CSA approved at 3500#/13.3 SLR

2300 - 3500 LBS. CAPACITY



Electric Brake

Item	Part No.	Qty/Brk	Description
0	K23-468-00	1	LH Complete Brake Assembly (shown)
0	K23-469-00	1	RH Complete Brake Assembly
1	036-019-10	1	Backing Plate Assembly
2	047-019-05	1	LH Actuating Lever Arm
2	047-020-05	1	RH Actuating Lever Arm
3	005-067-00	1	Washer
4	027-005-00	2	Wire Clip
5	046-009-00	2	Retractor Spring
6	K71-681-00	1	LH Shoe & Lining Kit Contains: 1 #040-367-00 Primary Shoe & Lining 1 #040-368-01 Secondary Shoe & Lining 2 #049-002-00 Shoe Hold Down Pin #8 2 #046-077-00 Shoe Hold Down Spring & Cup
6	K71-682-00	1	RH Shoe & Lining Kit Contains: 1 #040-367-00 Primary Shoe & Lining 1 #040-368-02 Secondary Shoe & Lining 2 #049-002-00 Shoe Hold Down Pin #8 2 #046-077-00 Shoe Hold Down Spring & Cup
7	K71-680-00	1	LH & RH Brake Adjuster Kit Contains: 1 #048-022-00 LH Adjuster Assembly 1 #048-023-00 RH Adjuster Assembly 2 #046-139-00 Adjusting Screw Spring 1 #046-140-00 LH Lever Spring 1 #046-141-00 RH Lever Spring 2 #071-529-00 Hook for Cable 1 #071-532-01 LH Adjusting Lever 1 #071-532-02 RH Adjusting Lever 2 #071-533-00 Adjuster Cable
8	K71-104-00	1	Magnet Kit Contains: 1 #042-140-00 Magnet (green wire) 1 #027-009-00 Magnet Clip 1 #046-080-00 Magnet Spring
9	046-007-00	2	Adjuster Slot Plug
10	046-016-00	1	Wire Grommet
11	007-041-00	4	Brake Mounting Bolt - Press-in
*12	006-017-00	4	Brake Mounting Nut

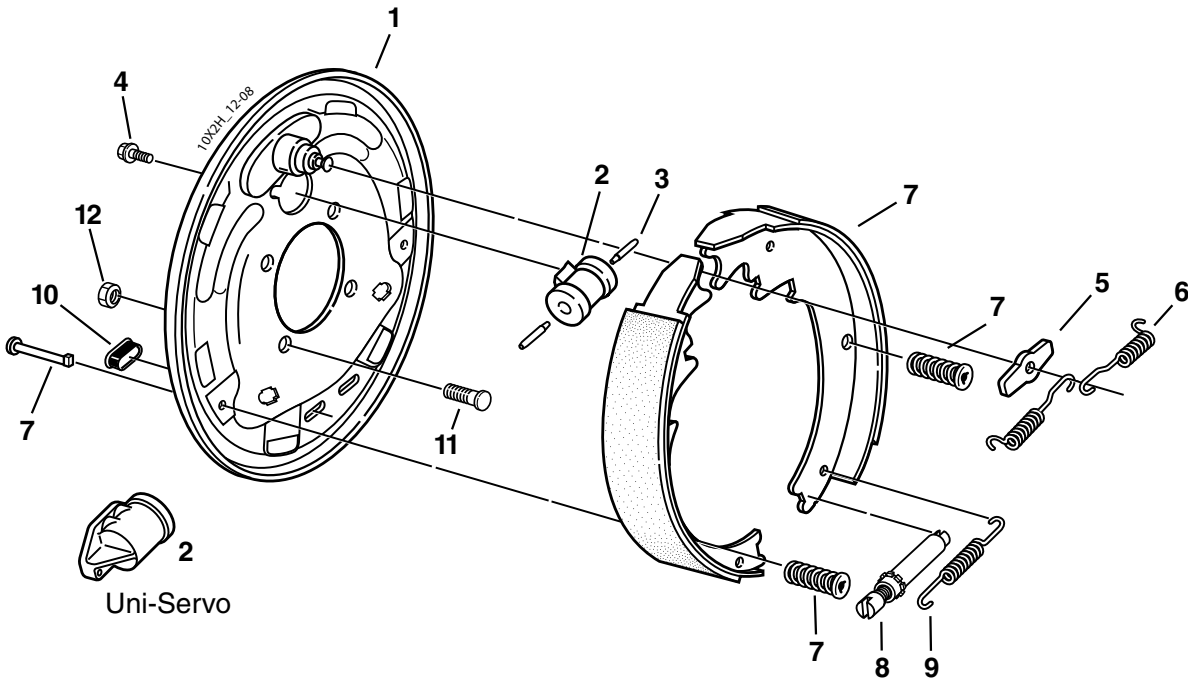
* Not included with complete brake assembly. Item sold separately.

10" x 2¼" Hydraulic Brake



CSA approved at 3500#/14.0 SLR; Uni-Servo

2300 - 3500 LBS. CAPACITY



Note: Uni-Servo brakes to be used with surge actuator

Hydraulic Brake

Item	Part No.	Qty/Brk	Description
0	K23-310-00	1	LH Complete Brake Assembly-DS
0	K23-311-00	1	RH Complete Brake Assembly-DS
0	K23-312-00	1	LH Complete Brake Assembly-US
0	K23-313-00	1	RH Complete Brake Assembly-US (shown)
1	036-094-03	1	Backing Plate Assembly (includes item #11)
2	054-062-00	1	LH Brake Cylinder Duo-Servo
2	054-063-00	1	RH Brake Cylinder Duo-Servo
2	054-064-00	1	LH Brake Cylinder Uni-Servo
2	054-065-00	1	RH Brake Cylinder Uni-Servo
3	054-060-00	1 or 2	Cylinder Push Rod US (1) DS (2)
4	087-001-00	2	Sems (screw & washer assembly)
5	005-113-00	1	Anchor Post Washer
6	046-009-00	2	Retractor Spring
7	K71-267-00	1	Shoe & Lining Kit Contains: 1 #040-210-00 Primary Shoe & Lining 1 #040-211-00 Secondary Shoe & Lining 2 #046-077-00 Shoe Hold Down Spring & Cup 2 #049-002-00 Shoe Hold Down Pin #8
8	043-004-00	1	Adjuster Assembly
9	046-018-00	1	Adjusting Screw Spring
10	046-007-00	1	Adjuster Slot Plug
11	007-041-00	4	Brake Mounting Bolt - Press-in
*12	006-017-00	4	Brake Mounting Nut
ns	054-089-00	1	Bleeder Screw (included with item #2)

ns - not shown

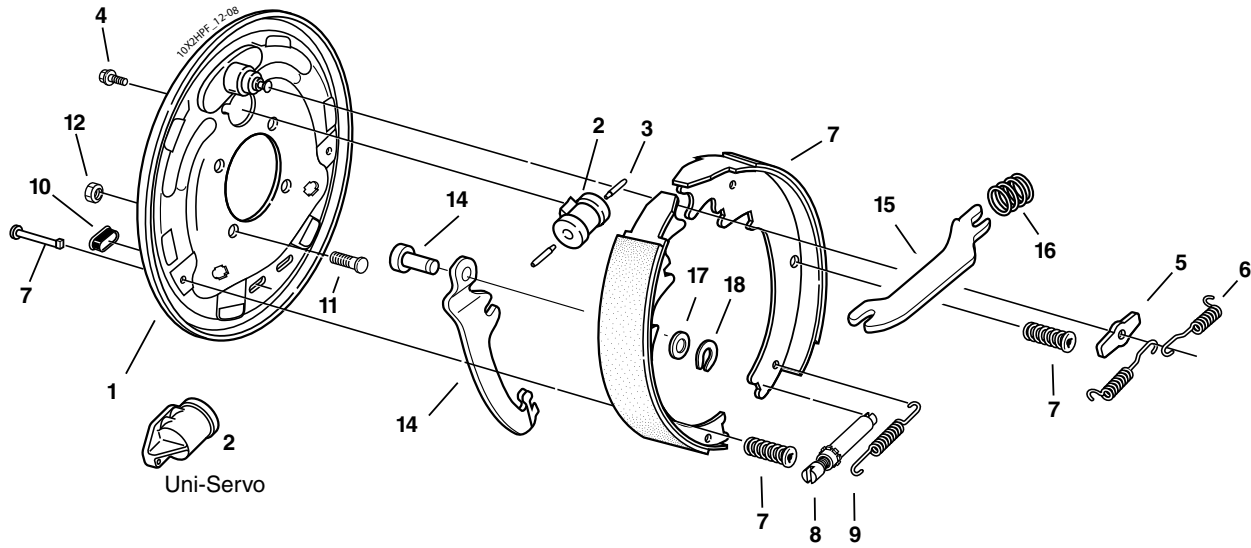
* Not included with complete brake assembly. Item sold separately.

10" x 2¼" Hydraulic Brake With Parking Feature



CSA approved at 3500#/14.0 SLR; Uni-Servo

2300 - 3500 LBS. CAPACITY



Note: Uni-Servo brakes to be used with surge actuator

Hydraulic Parking Brake

Item	Part No.	Qty/Brk	Description
0	K23-330-00	1	LH Complete Brake Assembly-w/park-US
0	K23-331-00	1	RH Complete Brake Assembly-w/park-US (shown)
0	K23-400-00	1	LH Complete Brake Assembly-w/park-DS
0	K23-401-00	1	RH Complete Brake Assembly-w/park-DS (shown)
1	036-094-03	1	Backing Plate Assembly (includes item #11)
2	054-064-00	1	LH Brake Cylinder Uni-Servo
2	054-065-00	1	RH Brake Cylinder Uni-Servo
2	054-062-00	1	LH Brake Cylinder Duo-Servo
2	054-063-00	1	RH Brake Cylinder Duo-Servo
3	054-060-00	1 or 2	Cylinder Push Rod US (1) DS (2)
4	087-001-00	2	Sems (screw & washer assembly)
5	005-113-00	1	Anchor Post Washer
6	046-009-00	2	Retractor Spring
7	K71-267-00	1	Shoe & Lining Kit Contains: 1 #040-210-00 Primary Shoe & Lining 1 #040-211-00 Secondary Shoe & Lining 2 #046-077-00 Shoe Hold Down Spring & Cup 2 #049-002-00 Shoe Hold Down Pin #8
8	043-004-00	1	Adjuster Assembly
9	046-018-00	1	Adjusting Screw Spring
10	046-007-00	1	Adjuster Slot Plug
11	007-041-00	4	Brake Mounting Bolt - Press-in
*12	006-017-00	4	Brake Mounting Nut
14	047-116-01	1	LH Parking Lever & Pin Assembly
14	047-117-01	1	RH Parking Lever & Pin Assembly
15	047-118-00	1	Parking Strut
16	046-103-00	1	Parking Strut Spring
17	005-112-00	1	Spring Tension Washer
18	069-055-00	1	Retainer
ns	054-089-00	1	Bleeder Screw (included with item #2)
*ns	071-514-00	1	Park Brake Cable

ns - not shown

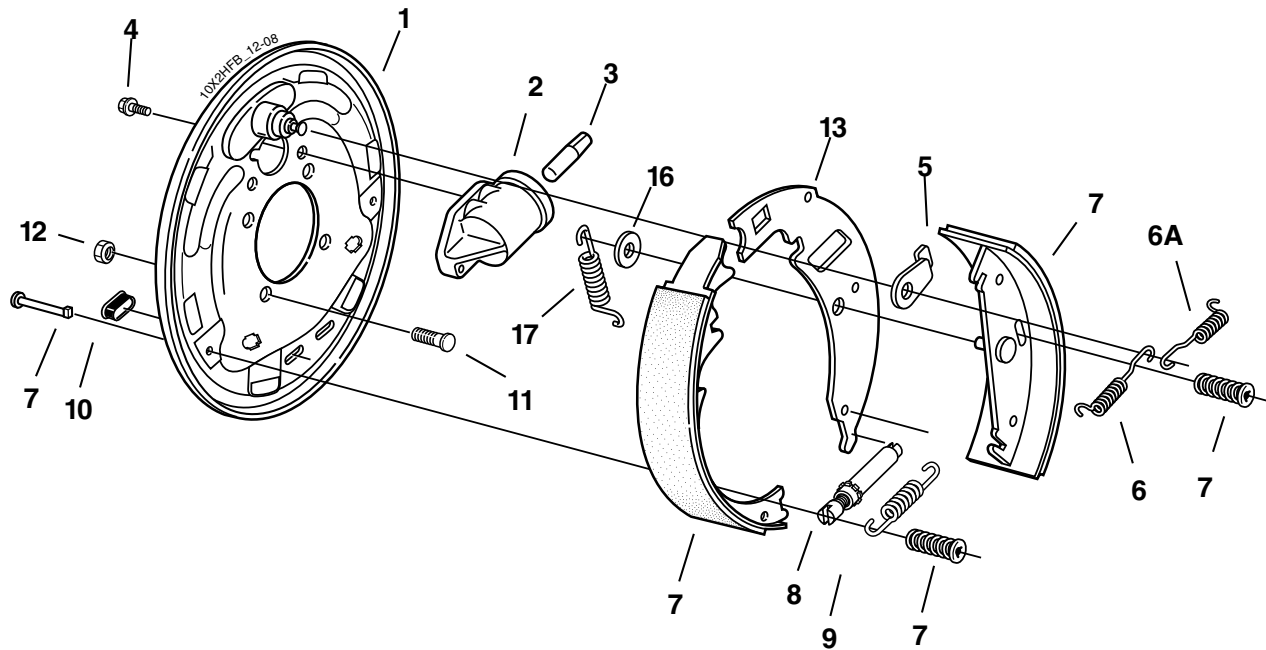
* Not included with complete brake assembly. Item sold separately.

10" x 2¼" Hydraulic Brake Free Backing



CSA approved at 3500#/14.0 SLR; Uni-Servo

2300 - 3500 LBS. CAPACITY



Note: Uni-Servo brakes to be used with surge actuator

Hydraulic Free Backing Brake

Item	Part No.	Qty/Brk	Description
0	K23-344-00	1	LH Complete Brake Assembly-FB
0	K23-345-00	1	RH Complete Brake Assembly-FB (shown)
1	036-094-03	1	Backing Plate Assembly (includes item #11)
2	054-064-00	1	LH Brake Cylinder Uni-Servo
2	054-065-00	1	RH Brake Cylinder Uni-Servo
3	054-060-00	1	Cylinder Push Rod
4	087-001-00	2	Sems (screw & washer assembly)
5	037-069-02	1	Travel Link
6	046-009-00	2	Retractor Spring
6A	046-107-01	1	Shoe Lever Return Spring
7	K71-393-00	1	Shoe & Lining Kit Contains: 1 #040-291-00 Primary Shoe & Lining 1 #040-211-00 Secondary Shoe & Lining 2 #046-077-00 Shoe Hold Down Spring & Cup 2 #049-002-00 Shoe Hold Down Pin #8
8	043-004-00	1	Adjuster Assembly
9	046-083-00	1	Adjusting Screw Spring
10	046-007-00	1	Adjuster Slot Plug
11	007-041-00	4	Brake Mounting Bolt - Press-in
*12	006-017-00	4	Brake Mounting Nut
13	040-240-02	1	Shoe Lever
16	005-064-00	1	Washer
17	046-108-01	1	Primary Shoe Return
ns	054-089-00	1	Bleeder Screw (included with item #2)
*ns	071-514-00	1	Park Brake Cable

ns - not shown

* Not included with complete brake assembly. Item sold separately.

Hydraulic Free Backing Brake Corrosion Resistant

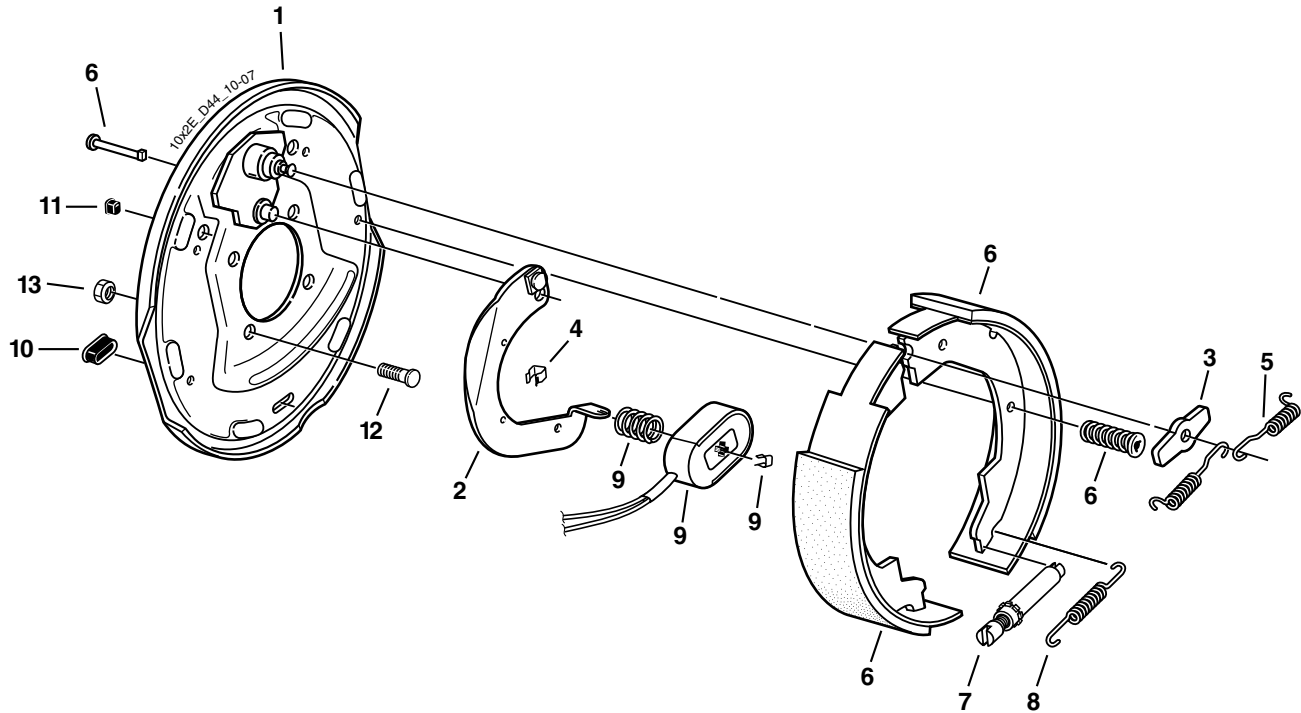
Item	Part No.	Qty/Brk	Description
0	K23-344-01	1	LH Complete Brake Assembly-FB
0	K23-345-01	1	RH Complete Brake Assembly-FB
1	036-094-04	1	Backing Plate Assembly (includes item #11)
2	054-064-01	1	LH Brake Cylinder Uni-Servo
2	054-065-01	1	RH Brake Cylinder Uni-Servo
3	054-060-00	1	Cylinder Push Rod
4	087-001-00	2	Sems (screw & washer assembly)
5	037-069-02	1	Travel Link
6	046-009-01	2	Retractor Spring
6A	046-107-03	1	Shoe Lever Return Spring
7	K71-393-00	1	Shoe & Lining Kit Contains: 1 #040-291-00 Primary Shoe & Lining 1 #040-211-00 Secondary Shoe & Lining 2 #046-077-00 Shoe Hold Down Spring & Cup 2 #049-002-00 Shoe Hold Down Pin #8
8	043-004-02	1	Adjuster Assembly
9	046-083-01	1	Adjusting Screw Spring
10	046-007-00	1	Adjuster Slot Plug
11	007-041-00	4	Brake Mounting Bolt - Press-in
*12	006-017-00	4	Brake Mounting Nut
13	040-240-02	1	Shoe Lever
16	005-064-00	1	Washer
17	046-108-03	1	Primary Shoe Return Spring
ns	054-089-00	1	Bleeder Screw (included with item #2)

10" x 2¼" D44 Electric Brake



CSA approved at 4400#/13.0 SLR

3600 - 6000 LBS. CAPACITY



Electric Brake Old Style Before 5/1/09

Item	Part No.	Qty/Brk	Description
ns	K23-454-00	1	LH Complete Brake Assembly
ns	K23-455-00	1	RH Complete Brake Assembly
ns	036-019-16	1	Backing Plate Assembly
2	047-019-00	1	LH Actuating Lever Arm
2	047-020-00	1	RH Actuating Lever Arm
3	005-067-00	1	Washer
4	027-005-00	2	Wire Clip
5	046-009-00	2	Retractor Spring
6	K71-672-00	1	Shoe & Lining Kit Contains: 1 #040-361-00 Primary Shoe & Lining 1 #040-362-00 Secondary Shoe & Lining 2 #049-002-00 Shoe Hold Down Pin #8 2 #046-077-00 Shoe Hold Down Spring & Cup
7	043-004-00	1	Adjuster Assembly
8	046-018-00	1	Adjusting Screw Spring
9	K71-125-00	1	Magnet Kit Contains: 1 #042-143-00 Magnet (black wire) 1 #027-009-00 Magnet Clip 1 #046-080-00 Magnet Spring
10	046-007-00	2	Adjuster Slot Plug
11	046-016-00	1	Wire Grommet
12	007-271-00	4	Brake Mounting Bolt - Press-in
*13	006-017-00	4	Brake Mounting Nut

ns - not shown

* Not included with complete brake assembly. Item sold separately.

Electric Brake New Style After 5/1/09

Item	Part No.	Qty/Brk	Description
0	K23-462-00	1	LH Complete Brake Assembly (shown)
0	K23-463-00	1	RH Complete Brake Assembly
1	036-019-19	1	Backing Plate Assembly
2	047-019-00	1	LH Actuating Lever Arm
2	047-020-00	1	RH Actuating Lever Arm
3	005-067-00	1	Washer
4	027-005-00	2	Wire Clip
5	046-009-00	2	Retractor Spring
6	K71-672-00	1	Shoe & Lining Kit Contains: 1 #040-361-00 Primary Shoe & Lining 1 #040-362-00 Secondary Shoe & Lining 2 #049-002-00 Shoe Hold Down Pin #8 2 #046-077-00 Shoe Hold Down Spring & Cup
7	043-004-00	1	Adjuster Assembly
8	046-018-00	1	Adjusting Screw Spring
9	K71-125-00	1	Magnet Kit Contains: 1 #042-143-00 Magnet (black wire) 1 #027-009-00 Magnet Clip 1 #046-080-00 Magnet Spring
10	046-007-00	2	Adjuster Slot Plug
11	046-016-00	1	Wire Grommet
12	007-271-00	4	Brake Mounting Bolt - Press-in
*13	006-017-00	4	Brake Mounting Nut

* Not included with complete brake assembly. Item sold separately.